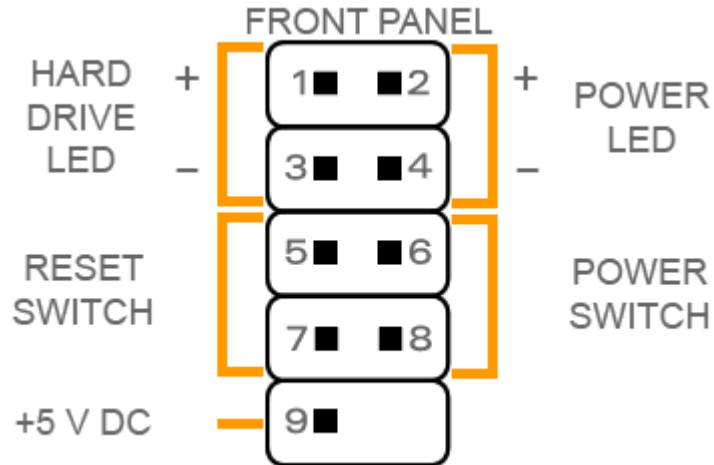


Standard Motherboard Headers

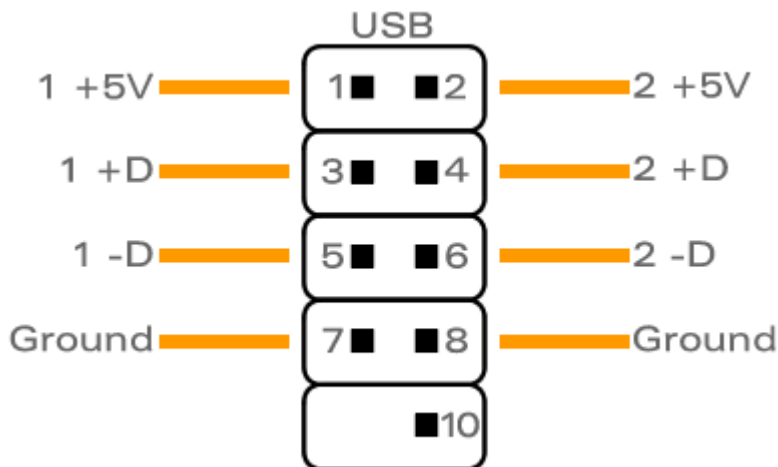
WARNING: Not all motherboards use the same headers. Use this document only for motherboards where this file was linked from www.ipsgproducts.com.

Front Panel Header:

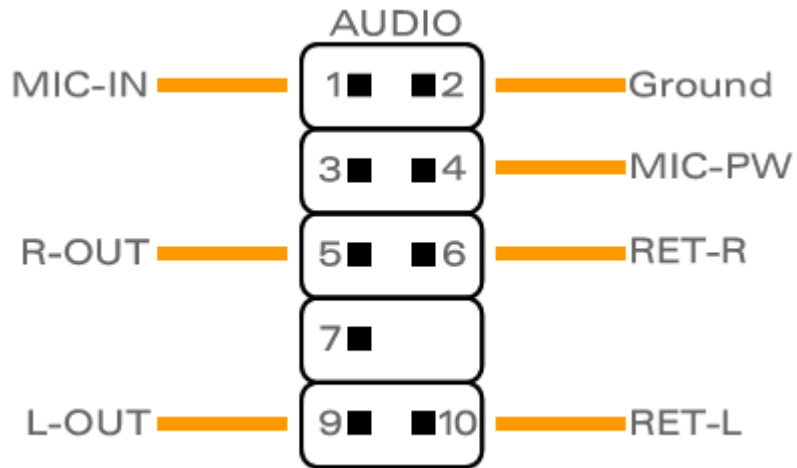


USB Header:

Each USB Header is for two ports or two devices. Pins 1, 3, 5, and 7 are used for port/device #1. Pins 2, 4, 6, and 8 are used for port/device #2.



Front Panel Audio Header:



1394 Header:

Note: 1394 is not included on all motherboards.

